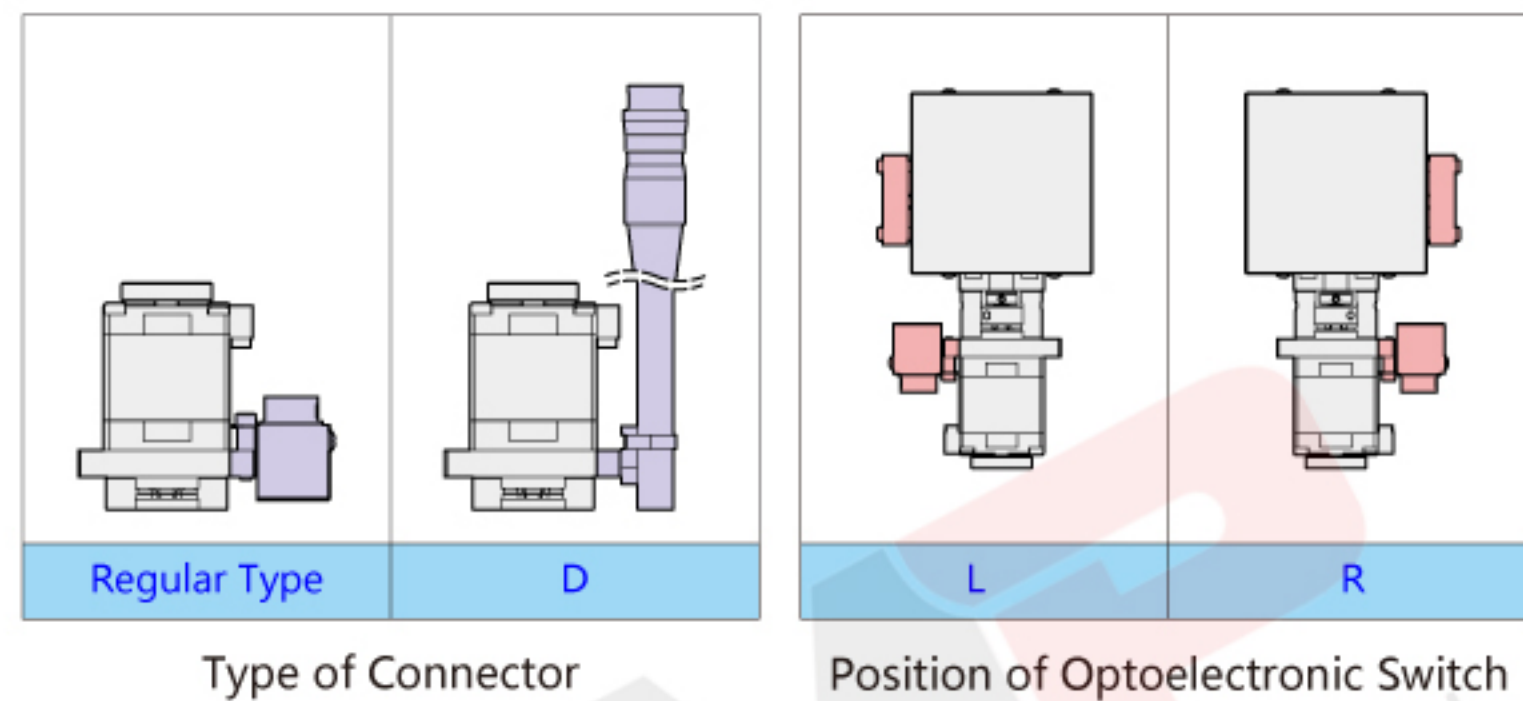
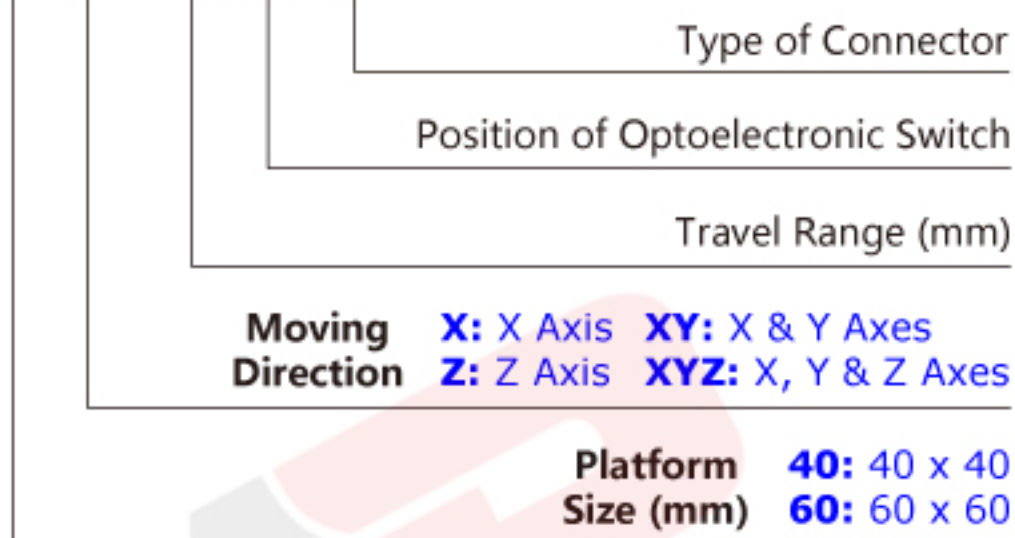


Item Number

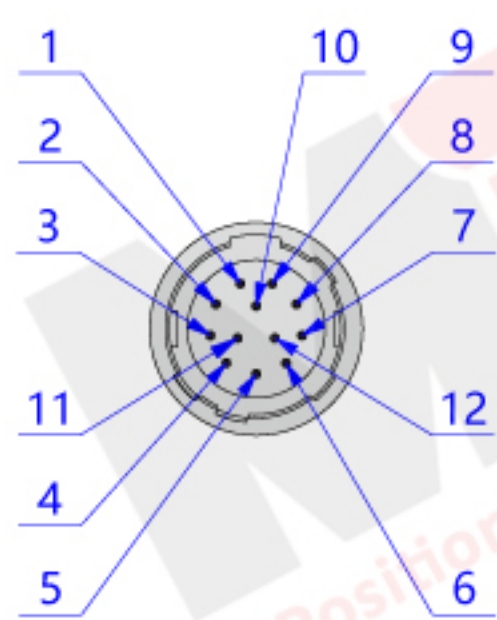
PLS 60 X - 15 L - D



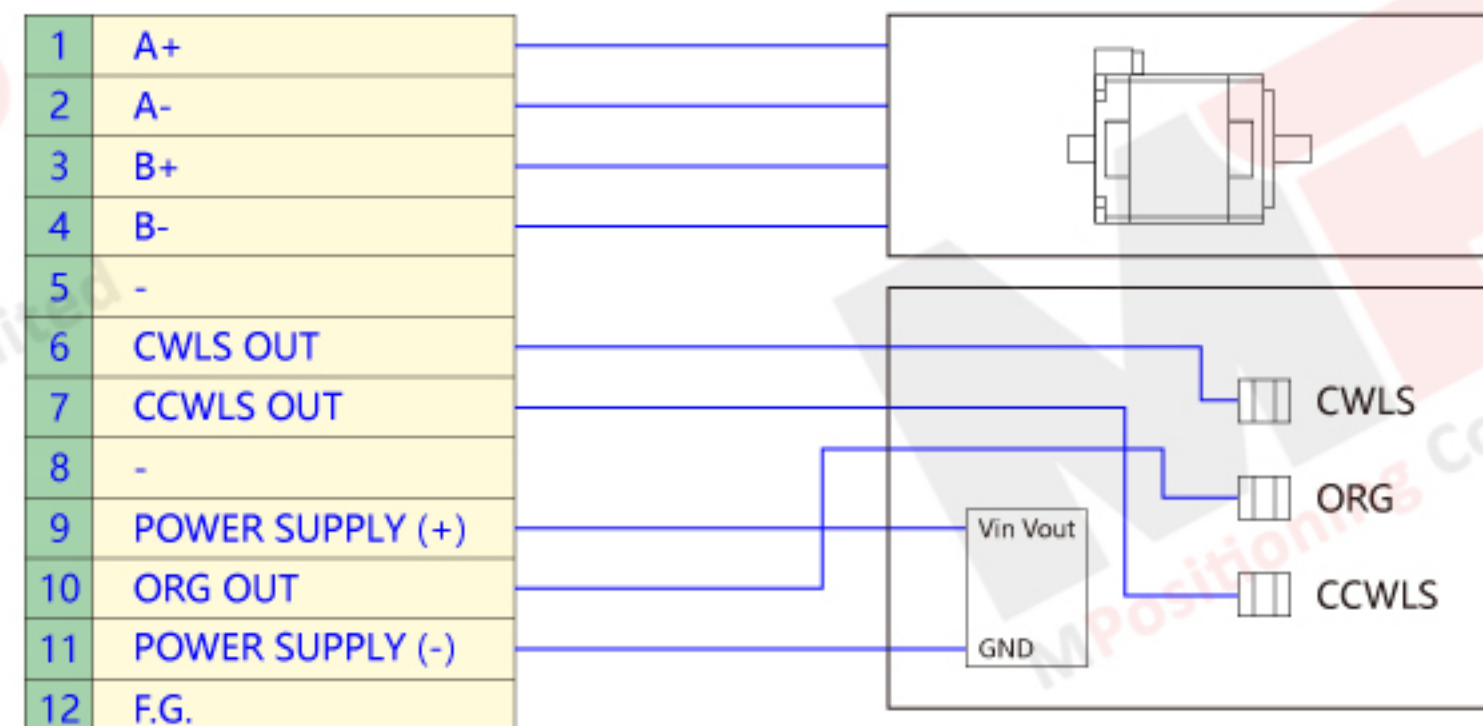
Specifications (Ask for inquiring if you need cables.)

Type	Motorized Linear Stage	Drive Mechanism	Ball Screw	Resolution	5 (μm)
Material	Stainless Steel (SUS440C)	Positioning Accuracy	15 (μm)	Load Capacity	3.0 ~ 10.0 (kgf)
Finish	Electroless Nickel Plating	Motor	2-Phases Stepper Motor (Options: 5-Phases Stepper Motor or AC Servo Motor)		
Sensors	Limit Switch, Home	Bearing Construction	Double-Row, Gothic-Arch Ball Bearing Slides		

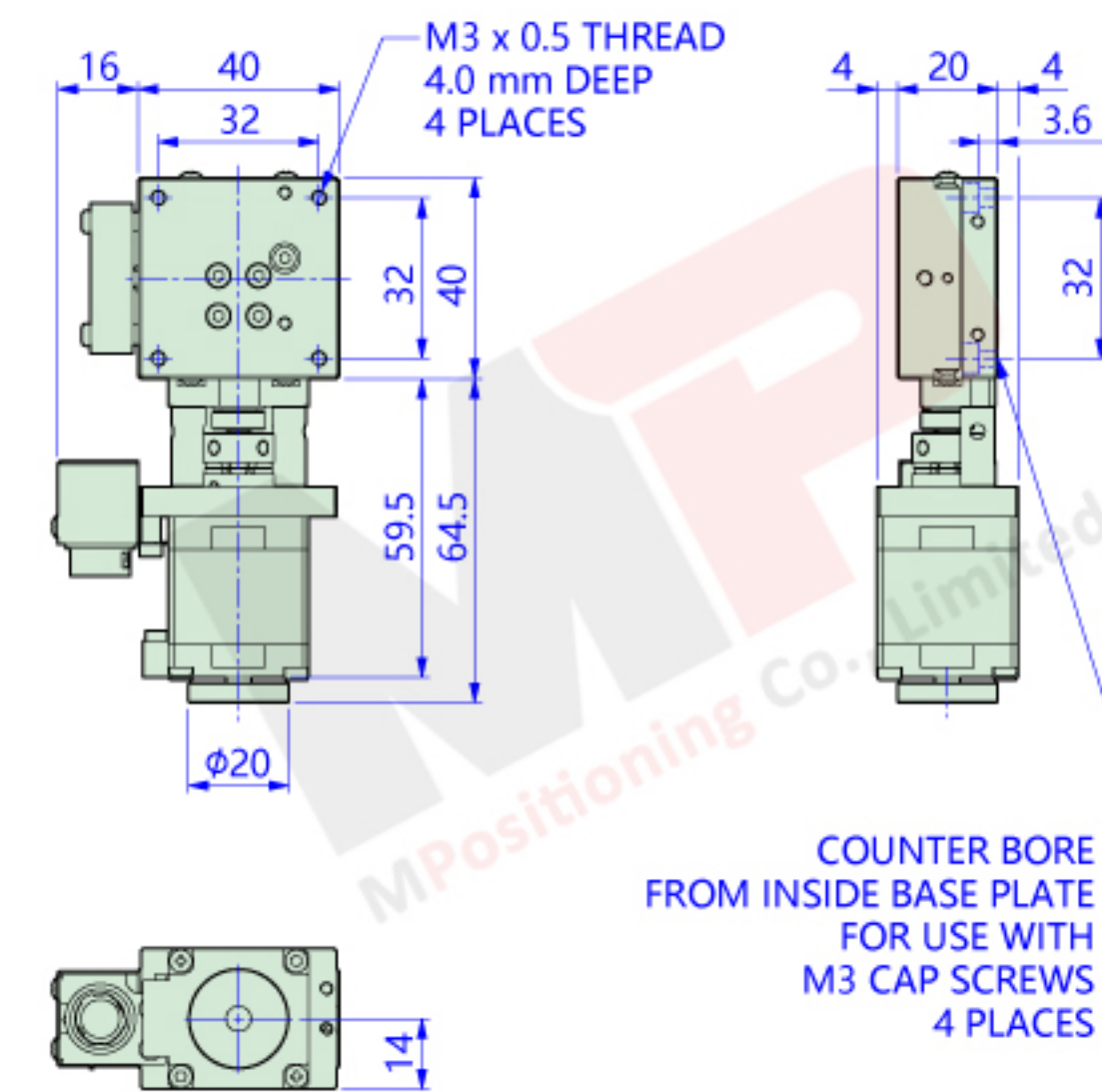
Connector



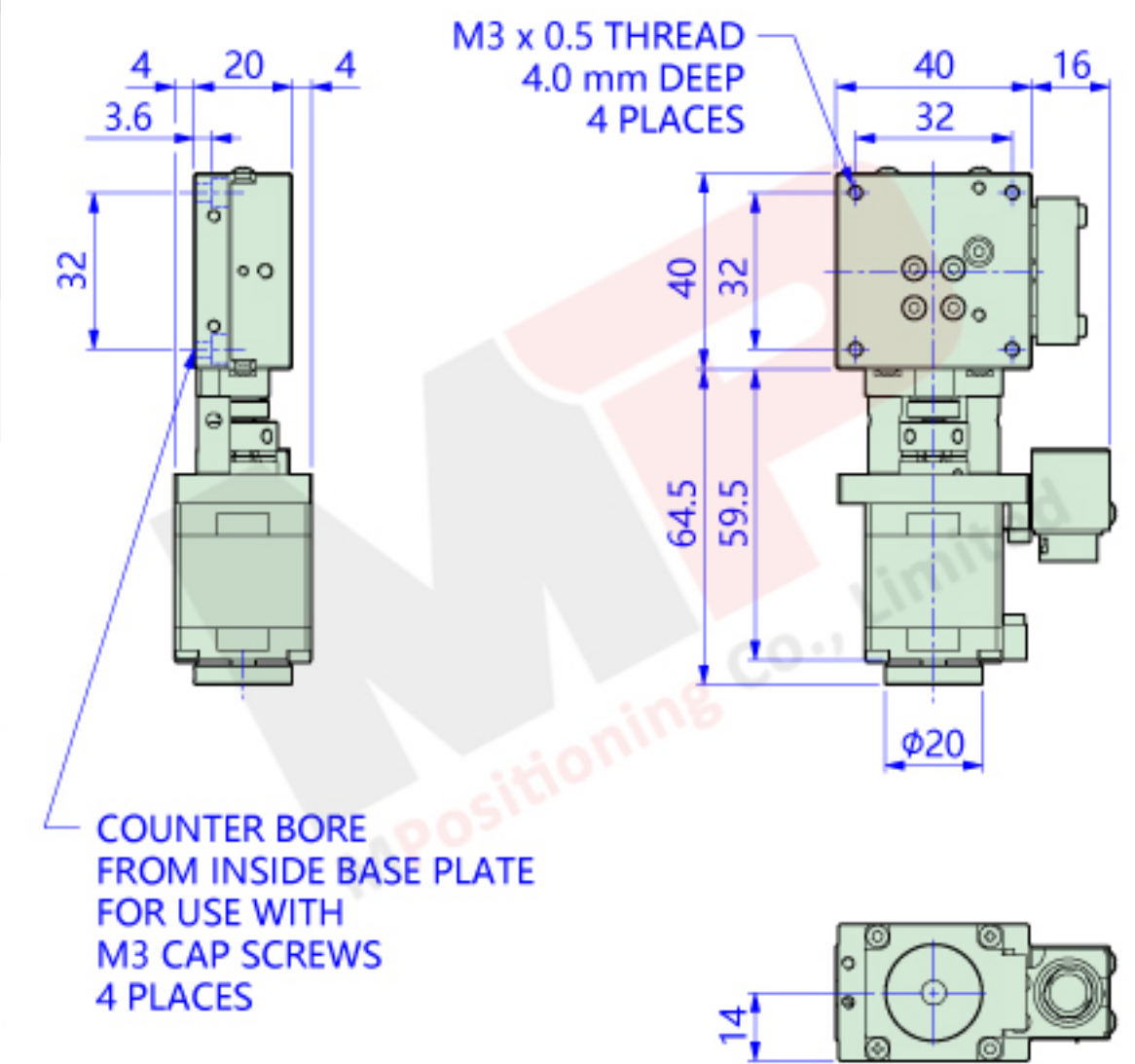
Wiring



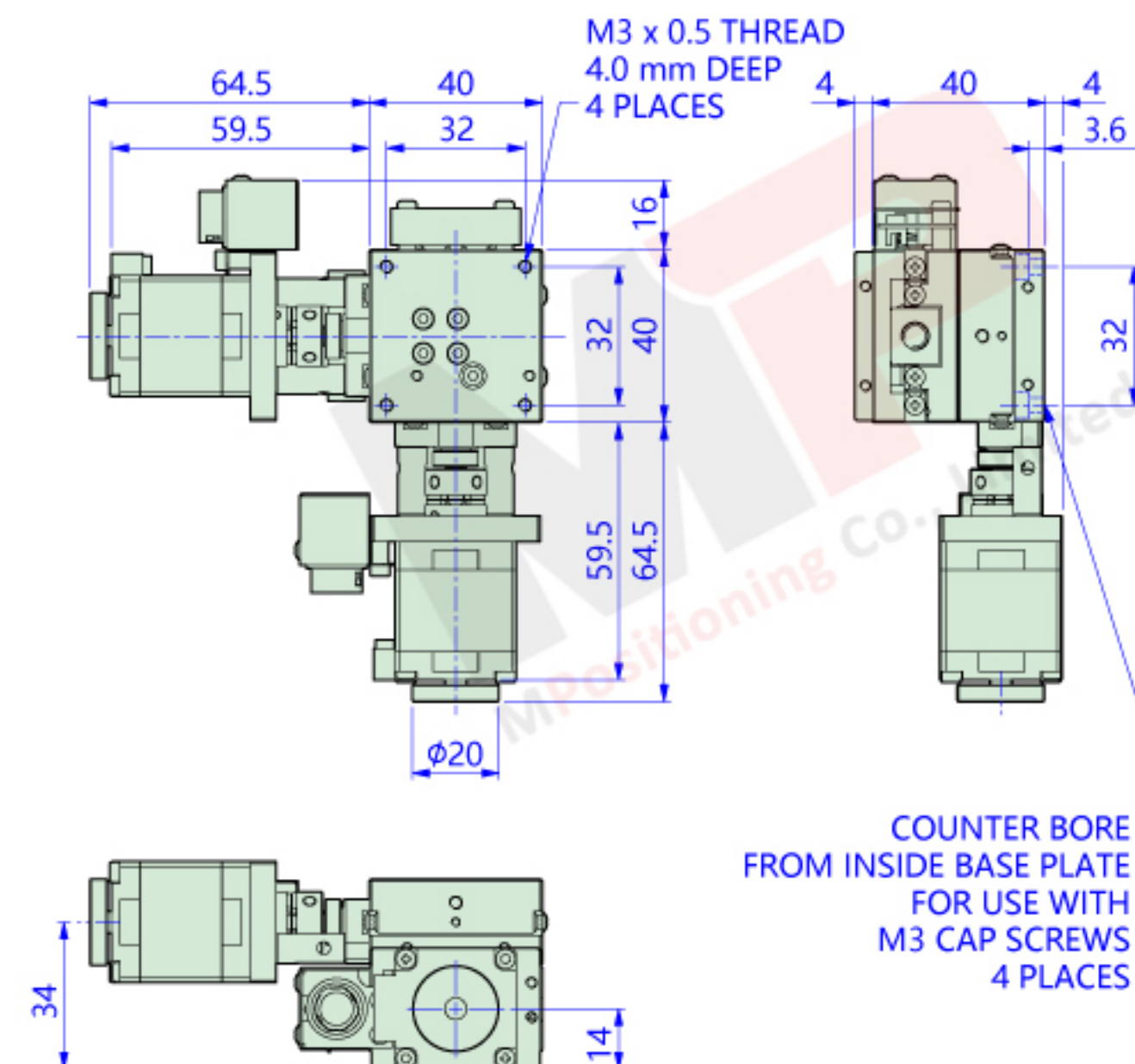
PLS40X-15L



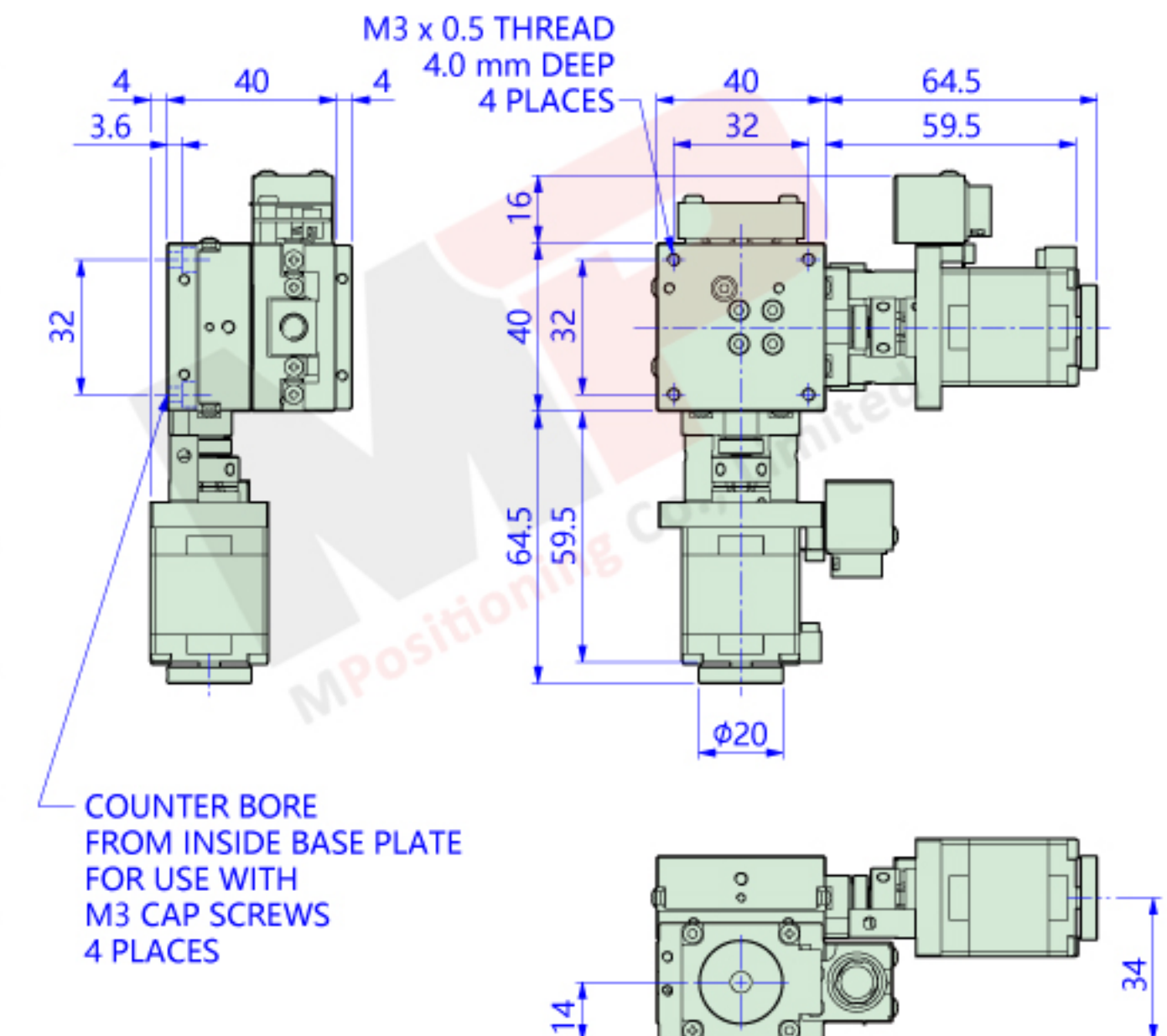
PLS40X-15R



PLS40XY-15L

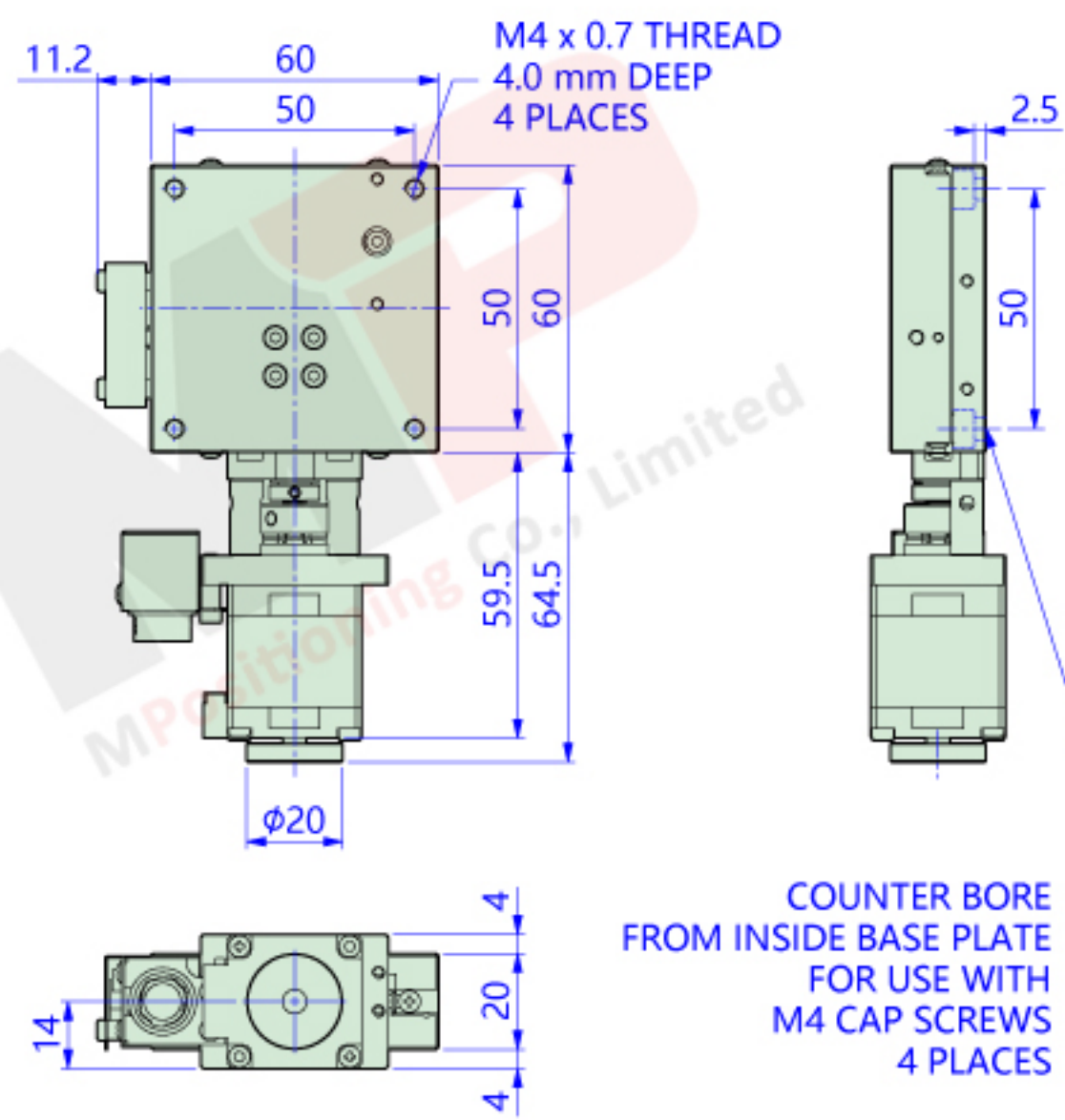


PLS40XY-15R

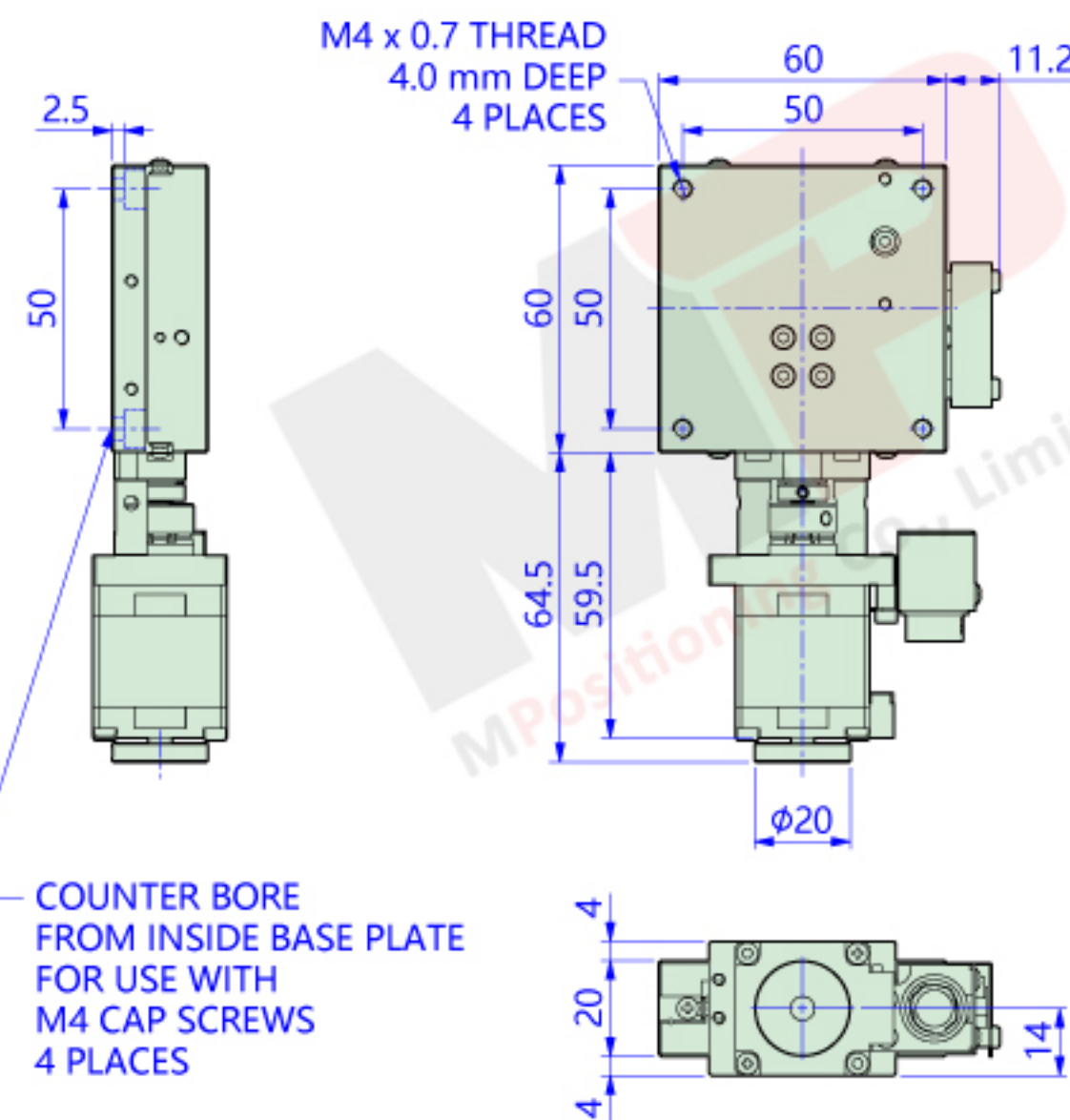


Item Number	Platform Size (mm)	Moving Direction	Stroke (mm)	Weight (kg)	Max. Load Capacity	Max. Velocity	Unidirectional Repeatability	Bidirectional Repeatability	Backlash	Flatness	Straightness
PLS40X-15L	40 x 40	X	15	0.36	10 kgf	10 mm/sec	≤ 15 μm	± 1 μm	≤ 3 μm	≤ 20 μm	≤ 3 μm
PLS40X-15R											
PLS40XY-15L		XY									
PLS40XY-15R											

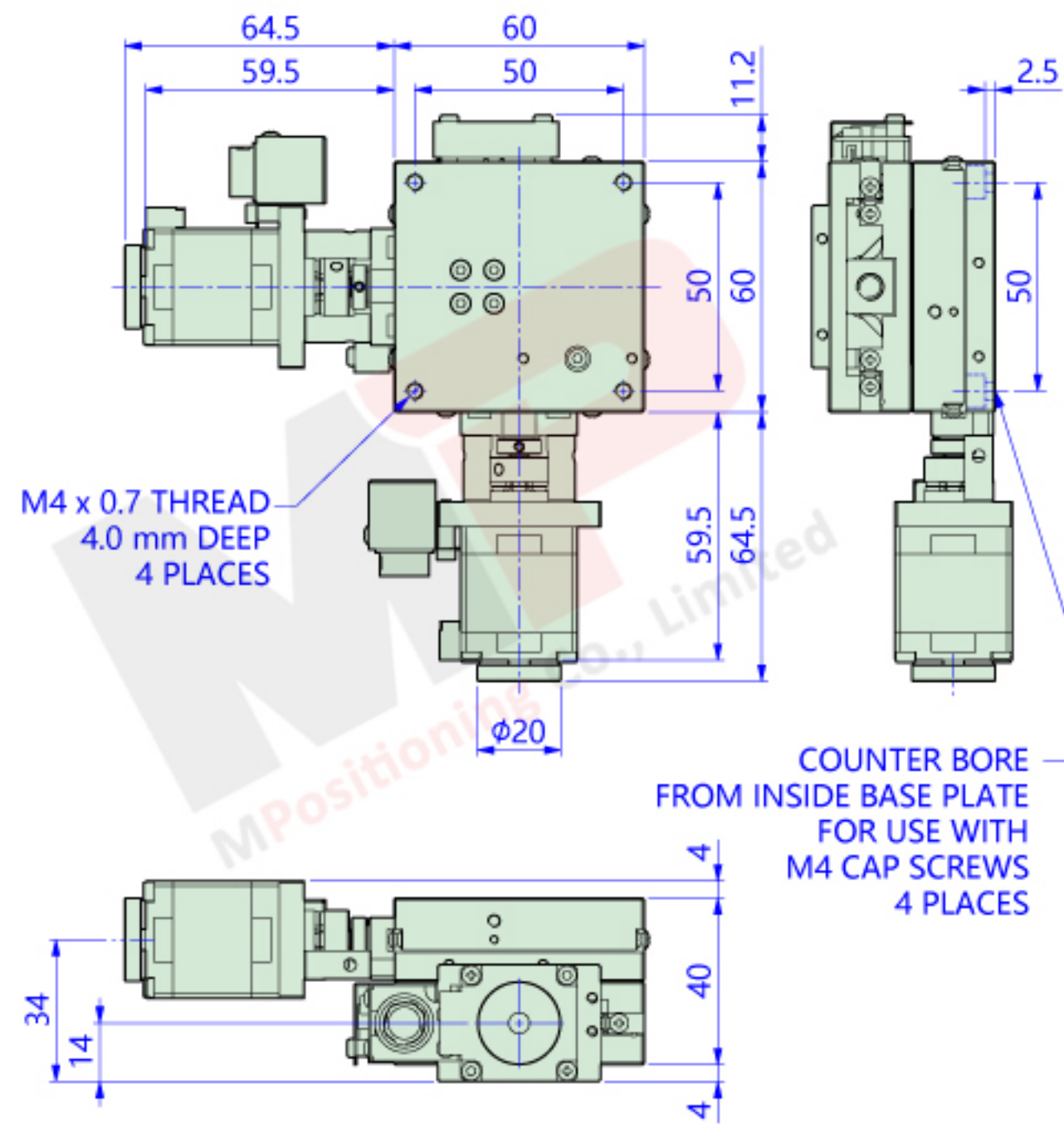
PLS60X-15L



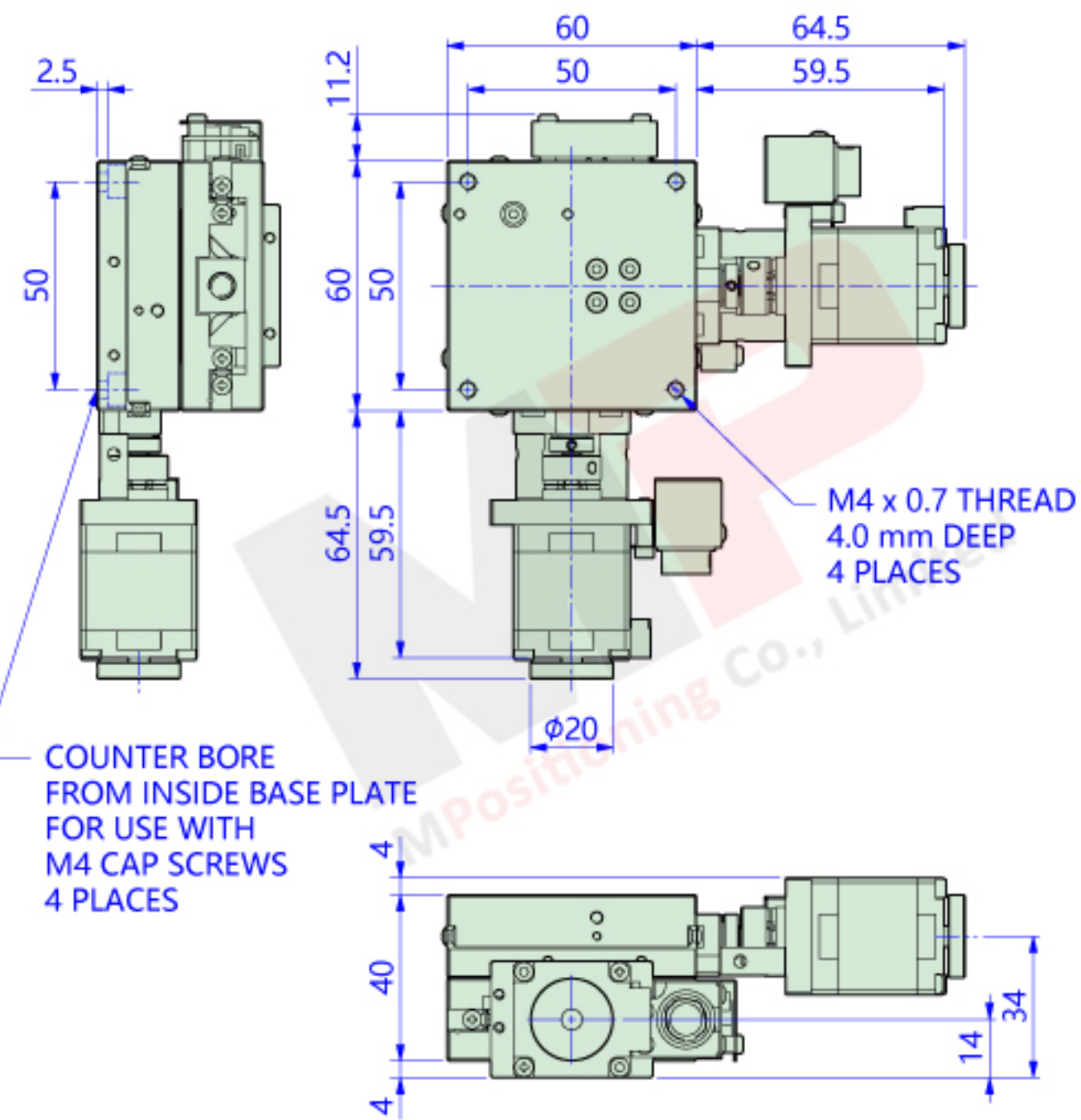
PLS60X-15R



PLS60XY-15L

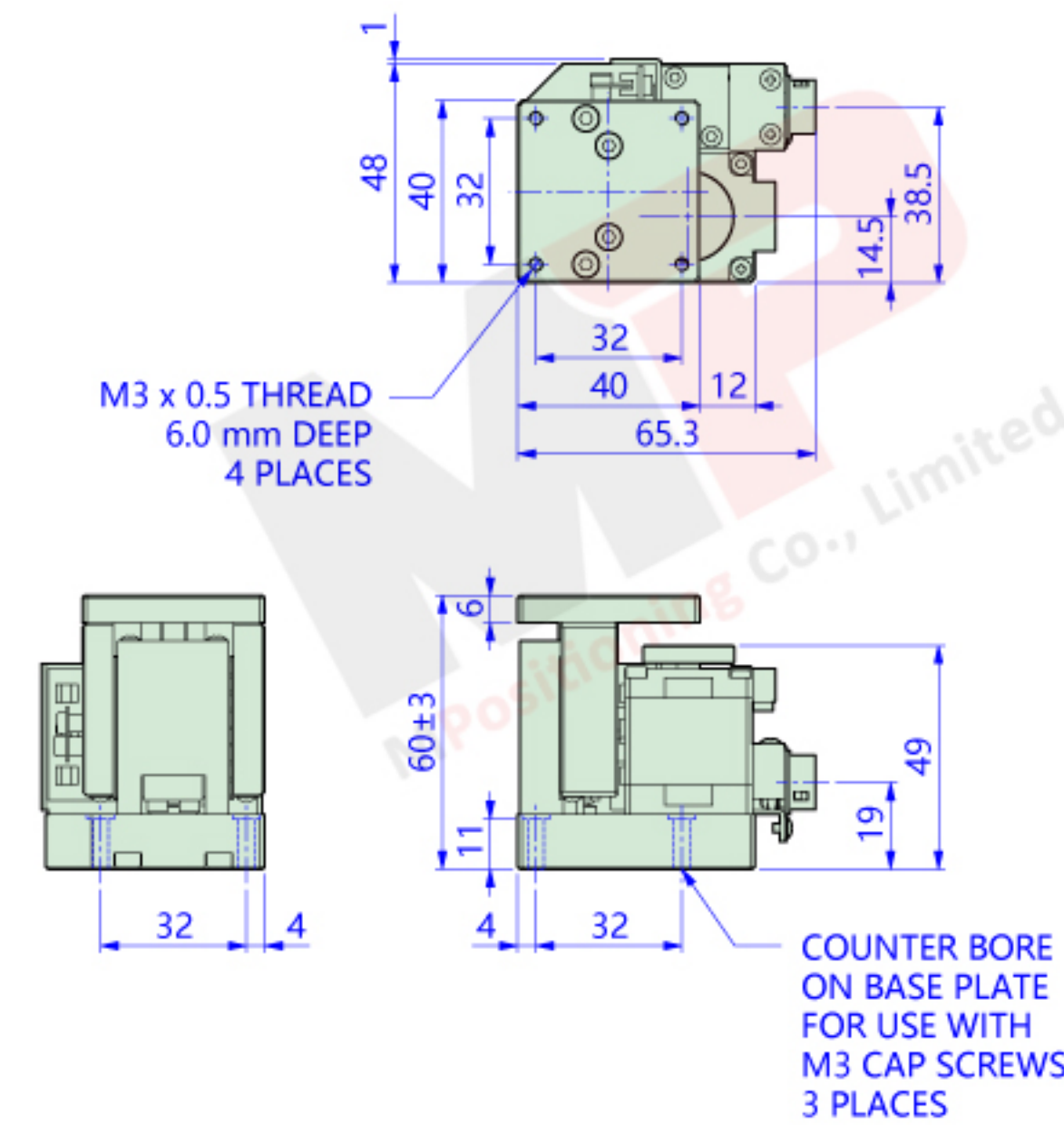


PLS60XY-15R

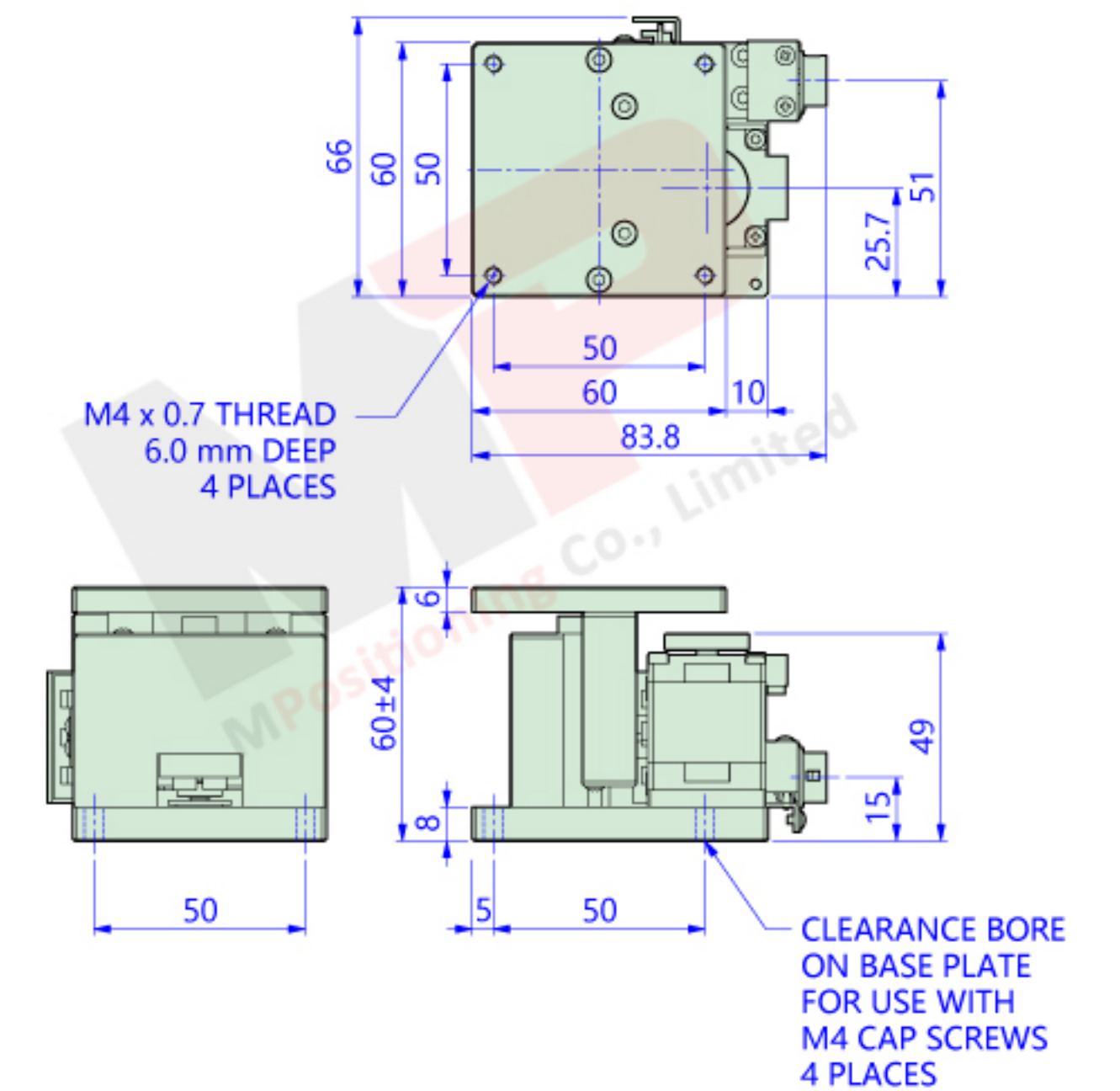


Item Number	Platform Size (mm)	Moving Direction	Stroke (mm)	Weight (kg)	Max. Load Capacity	Max. Velocity	Unidirectional Repeatability	Bidirectional Repeatability	Backlash	Flatness	Straightness
PLS60X-15L	60 x 60	X	15	0.56	10 kgf	10 mm/sec	≤ 15 μm	± 1 μm	≤ 3 μm	≤ 20 μm	≤ 3 μm
PLS60X-15R											
PLS60XY-15L	60 x 60	XY	15	1.12	10 kgf	10 mm/sec	≤ 15 μm	± 1 μm	≤ 3 μm	≤ 20 μm	≤ 3 μm
PLS60XY-15R											

PLS40Z-6



PLS60Z-8



Item Number	Platform Size (mm)	Moving Direction	Stroke (mm)	Weight (kg)	Max. Load Capacity	Max. Velocity	Unidirectional Repeatability	Bidirectional Repeatability	Flatness
PLS40Z-6	40 x 40	Z	6	0.54	3 kgf	10 mm/sec	≤ 30 μm	± 5 μm	≤ 50 μm
PLS60Z-8	60 x 60		8	0.95	4 kgf				